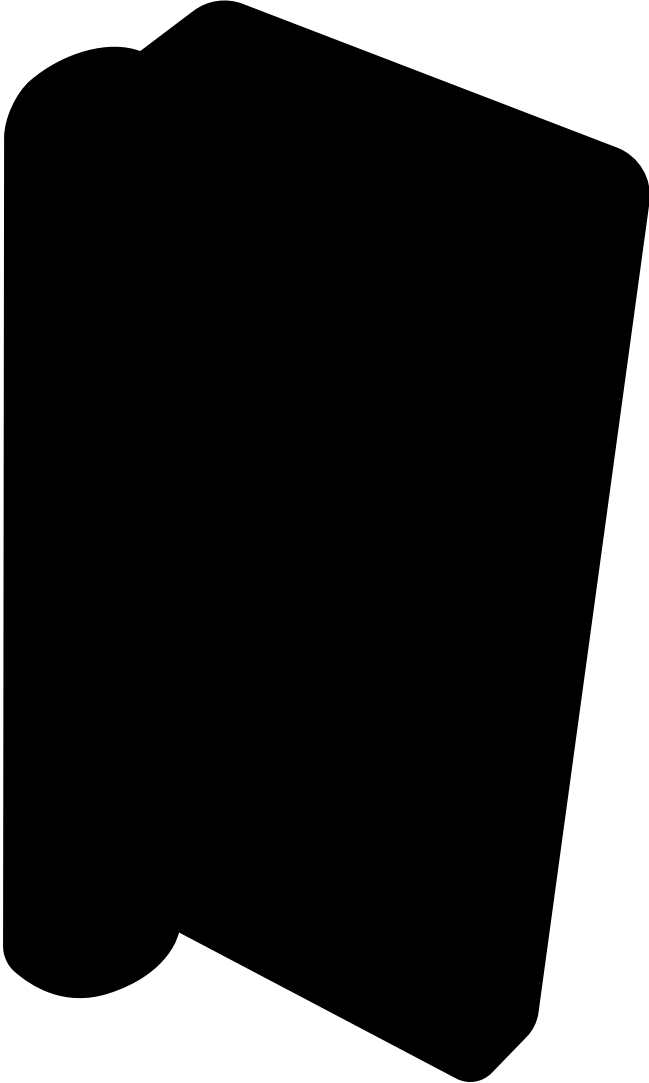


Palo Sofa



**Assembly
Instruction**

Palo Sofa

Palo is whatever you want it to be; a chaise, an ottoman, a sofa. This is furniture that evolves and grows with you. Elegant wood and metal legs are a hallmark of the architectural Palo family; as well as providing detail, they are the secret to a modular system that allows cushions and armrests to be moved and repositioned across the whole series. It doesn't end there... Want a side table for your tea? Or need to replace an individual element? Our approach enables you to update and grow your system, adapting to whatever life brings.

Please note that, depending on your Palo configuration, there might be components left over. Keep any additional hardware/components if you want to change your configuration later.

Parts



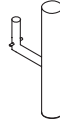
Leg cap

a



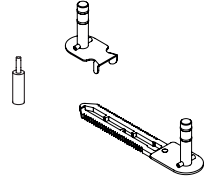
Beech leg

b

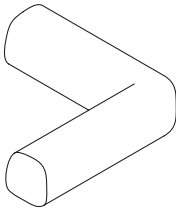


Steel leg

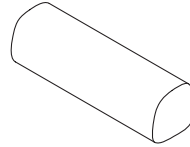
c



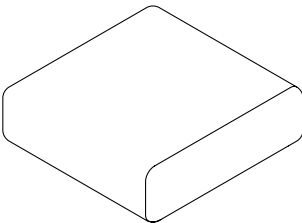
Steel leg small
& sofa connector
(Palo Corner Sofa only)



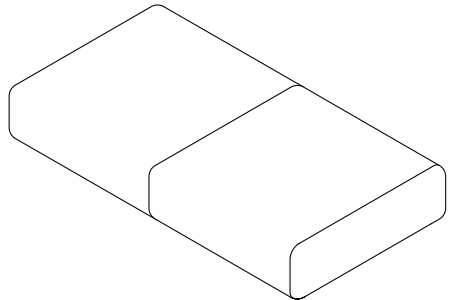
Corner armrest



Straight armrest



Small base



Big base

Module overview

100 cm / 39.4 in

95 cm / 37.4 in

b b

b b

- 1 x Small base
- 4 x Steel leg
- 4 x Leg cap

Palo Ottoman
L: 100 cm / 39.4 in x W: 95 cm / 37.4 in

195 cm / 76.8 in

100 cm / 39.4 in

a a a a

b b

a

- 1 x Straight armrest
- 1 x Big base
- 6 x Steel leg
- 4 x Beech leg
- 2 x Leg cap

Palo Lounger
L: 195 cm / 76.8 in x W: 100 cm / 39.4 in

195 cm / 76.8 in

97 cm / 38.2 in

a a a a

a a

b b

- 1 x Straight armrest
- 1 x Corner armrest
- 1 x Big base
- 8 x Steel leg
- 7 x Beech leg
- 1 x Leg cap

Palo 2-seater Sofa Chaise Right/Left
L: 195 cm / 76.8 in x W: 97 cm / 38.2 in

195 cm / 76.8 in

97 cm / 38.2 in

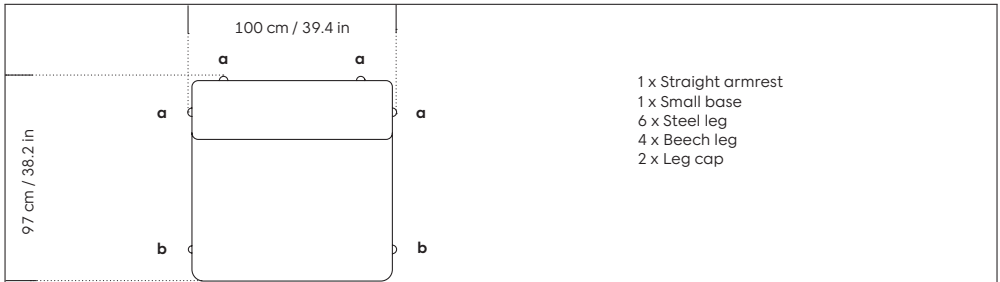
a a a a

a a

a a

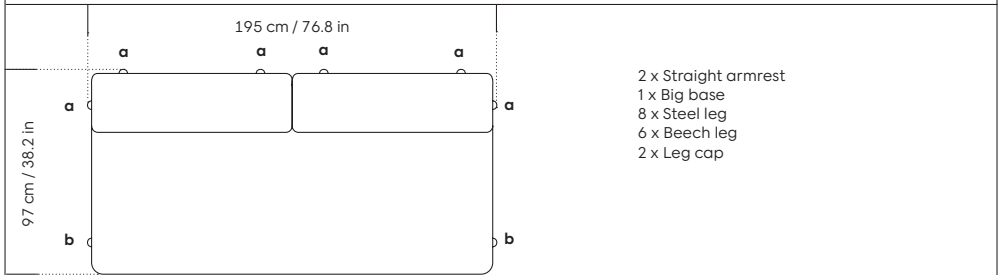
- 2 x Corner armrest
- 1 x Big base
- 8 x Steel leg
- 8 x Beech leg

Palo 2-seater Sofa with Armrests
L: 195 cm / 76.8 in x W: 97 cm / 38.2 in



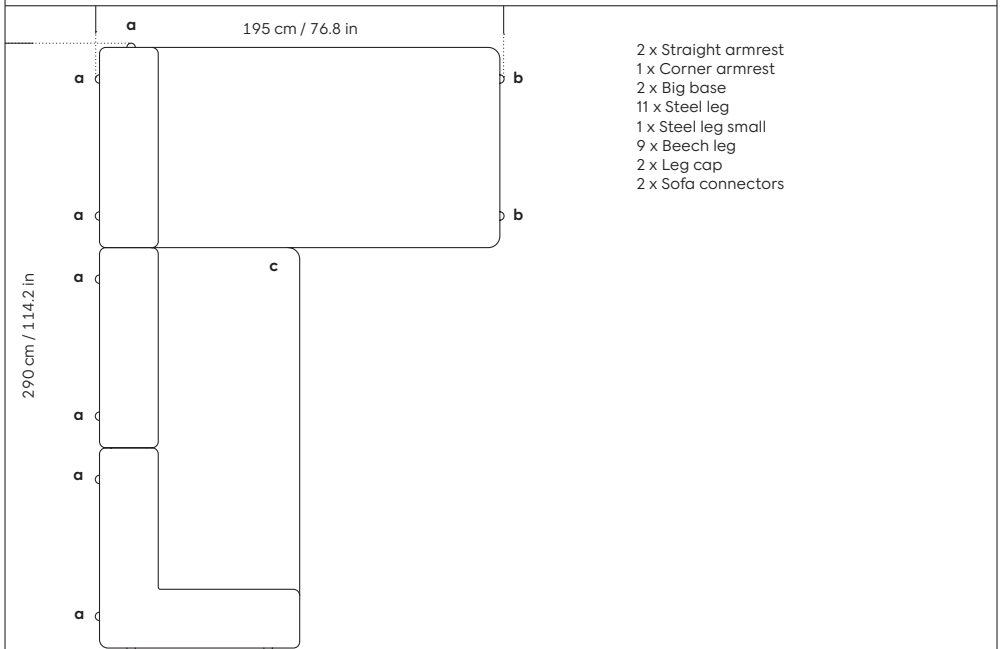
Palo Single-seater

L: 100 cm / 39.4 in x W: 97 cm / 38.1 in



Palo 2-seater Sofa

L: 195 cm / 76.8 in x W: 97 cm / 38.2 in



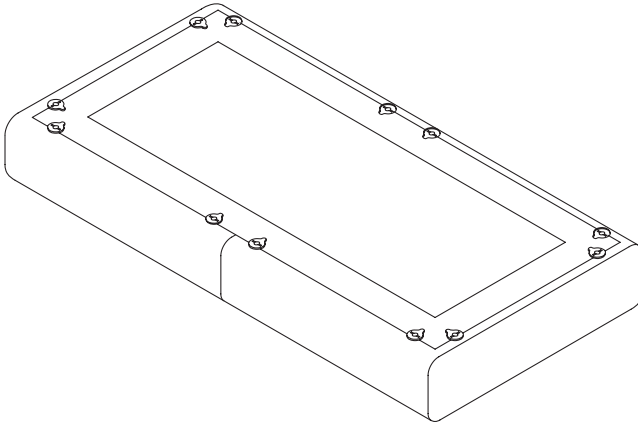
Palo Corna Sofa Right/Left

L: 290 cm / 114.2 in x W: 195 cm / 76.8 in

Step 1

We are building the Palo 2-seater Sofa Chaise Right.

Turn the base of the sofa around and lay it on a clean, even surface.



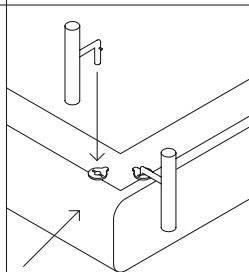
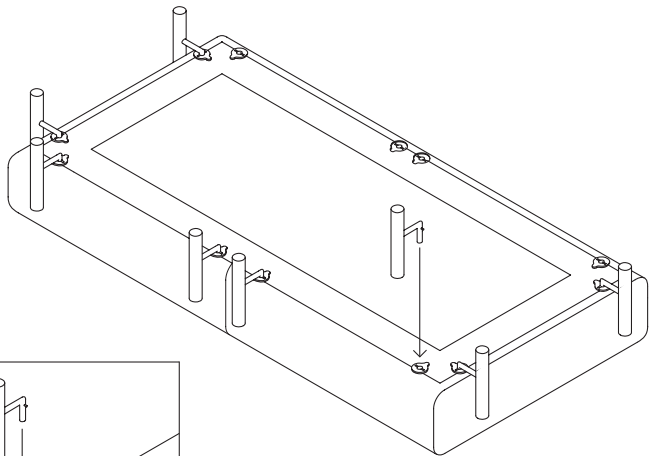
Step 2

Insert the steel legs while the sofa is upside down.

Lock all steel legs into the holes of the sockets provided. To insert the legs more easily, try to push the foam in and press in the leg.

Make sure all of the legs sit tightly in the base. Depending on which Palo configuration you have purchased, the amount of parts will vary (please see the module overview for reference).

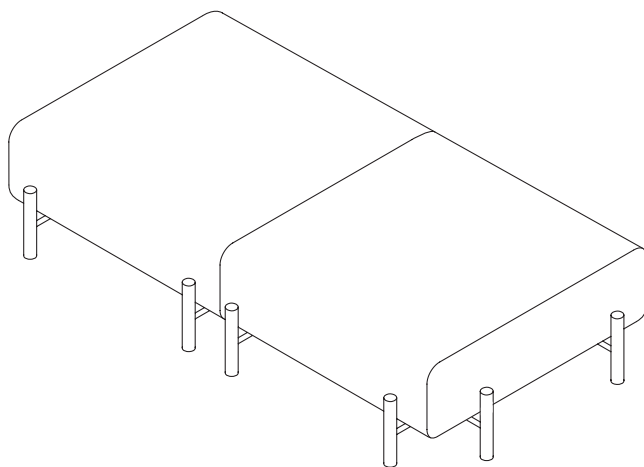
If the legs are difficult to insert, use the leg as a lever and rotate while pushing in the foam.



Push foam in

Step 3

Turn the sofa base around and make sure everything feels stable. We recommend two people for this process.

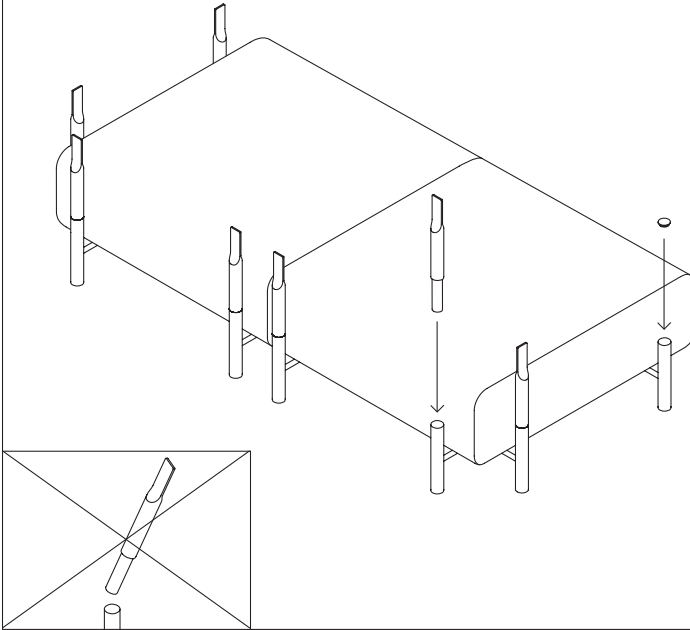


Step 4

Depending on which Palo configuration you have purchased, seal the hole with a leg cap (please see the module overview for reference).

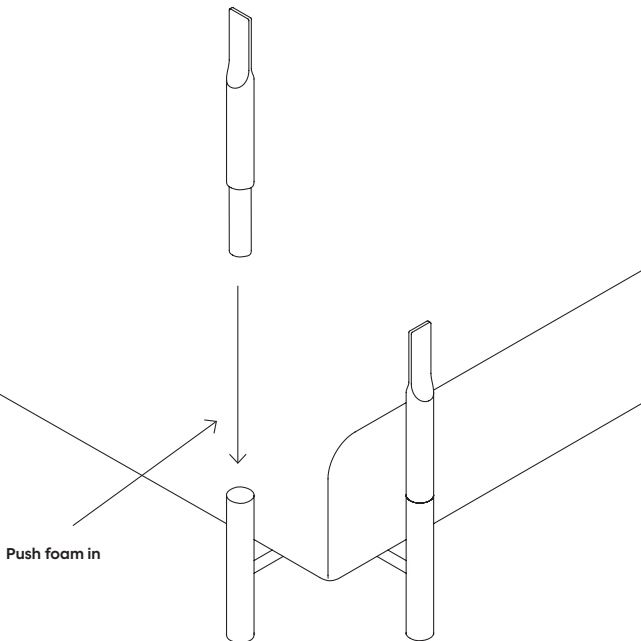
Next, place all the beech legs into the upper holes of the steel legs. Make sure you position them straight at the top of the steel leg and push them down without creating an angle. If you encounter too much resistance in that process, don't push the beech leg further.

The beech legs have removable rubber rings. Wood is a natural material that can expand – there are cases where the tension created by these rubber rings may not be necessary. In such cases, feel free to remove these for an easier fit as needed.



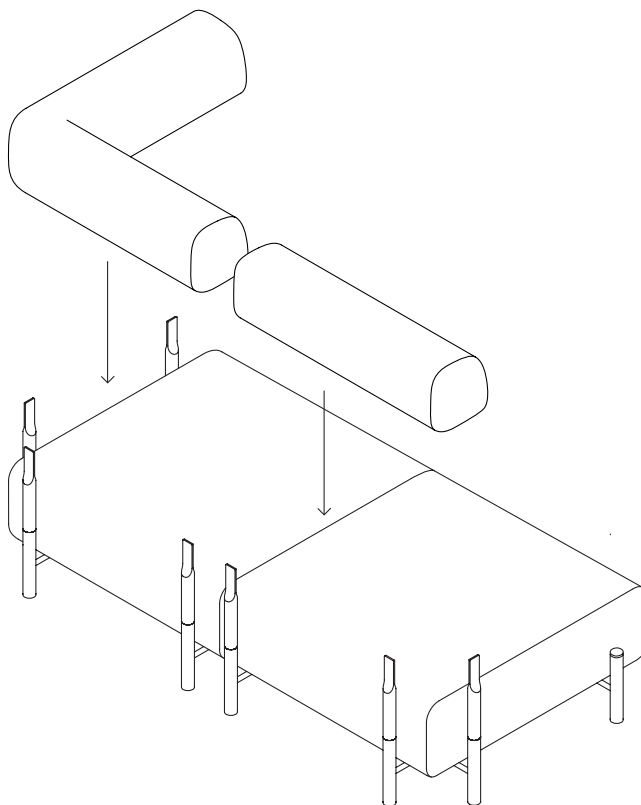
To insert the beech leg you need to add it straight from the top. If you put it in at an angle, the rubber rings will snag and get stuck. Try to push the foam with one hand while sliding in the leg. No force should be required.

If you still have issues to fit the beech leg into the steel leg, try to remove the lower rubber ring.



Step 5

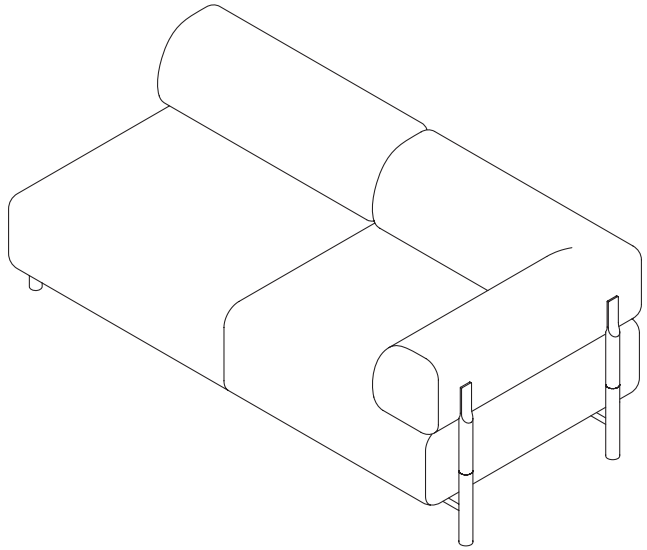
Each armrest needs to be supported by the beech legs which you have put in place at step 4. Please see the module overview for reference.



Step 6

You're done! Put the sofa to the desired angle and make sure everything feels stable.

Keep any additional hardware/components if you want to change your configuration later.



Want to change your configuration, add extra parts or in need of replacement parts? Send us an email at info@hem.com with all details and we'll be happy to provide you with a quote and place a manual order for you!

Additional assembly Palo Corner Sofa Left / Right

Step 7

Insert the black parts of the sofa connectors on one sofa base by pressing it into the hole at the bottom.

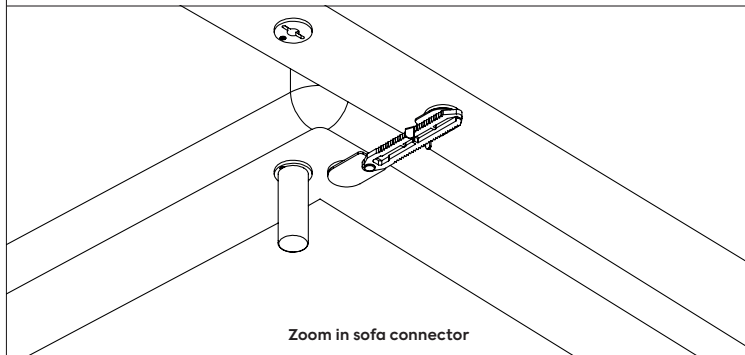
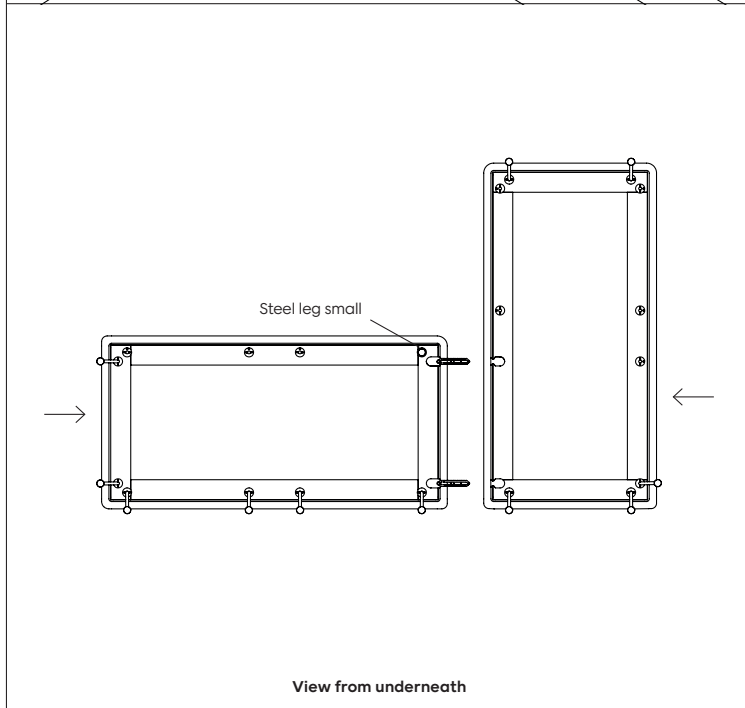
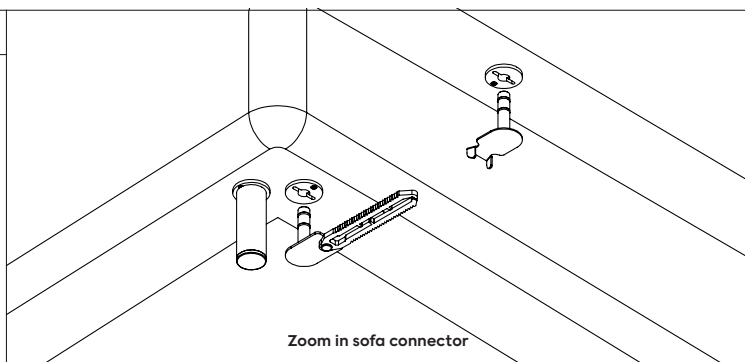
Then, insert the other parts of the sofa connectors on the other sofa base. Make sure it sits tight in the base.

If needed, direct the black plastic part towards the opening on the opposite part.

Then, push the sofas together until the sofa connectors click in fully.

If you want to disconnect the sofa, lift up the right part of the sofa in the picture and it will disconnect.

Once you have assembled both modules of your Palo Corner Sofa, make sure that you added the steel leg small into the big base to secure its stability.



Should you have any problems assembling your product, contact us at info@hem.com. We're always happy to help!

We have carefully selected the materials used in this product, and ask you to treat it responsibly too.
Please recycle all packaging according to your local disposal rules.

Hem