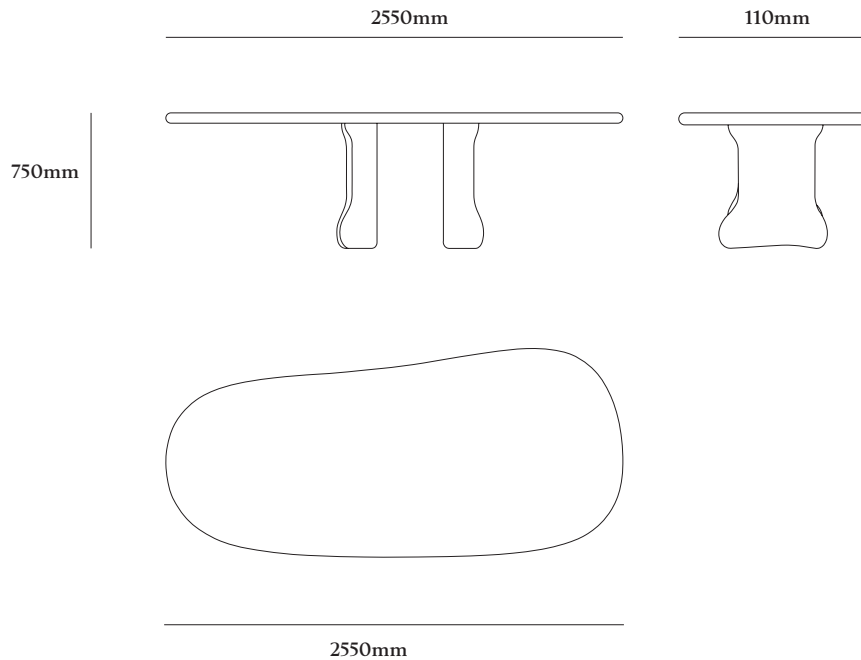


Faye Toogood



*Bone* dining table, long

## *Bone* dining table, long



*Bone* dining table anchors the room as a sculptural centrepiece. An asymmetric, curving super ellipse carved from solid oak, softened with labour and oil-finished. Four circular piercings reveal the vertical grain of the timber.

*Bone* is available to seat eight.

DIMENSIONS 75 (h) × 255 (w) × 110 (d) cm

MATERIALS Oak Walnut Ash Chalk / Malachite / Putty

WEIGHT 135kg 120kg 125kg

FINISH Satin Wood Oil

ORIGIN UK

LEAD TIME Made to order (8 week lead time)

DELIVERY We offer UK and international delivery.

As all items are made to order, shipping costs vary according to the piece, destination and access requirements, and are quoted at the time of enquiry.

International transit typically takes 1-2 weeks by air freight, excluding any time held in customs.



*Bone* dining table, long. Oak



*Bone* dining table, long. Oak

# *Bone* dining table, long

## MATERIALS & FINISHES



Oak



Walnut



Ash Chalk



Ash Putty



Ash Malachite

\*Colour variations between batches may occur. Material will patina with use.

---

### CARE GUIDANCE

Lightly dust with a lint free cloth.

Avoid abrasive cloths and commercial domestic cleaners.

In case of spillages, absorb excess liquid with a clean cloth and dry with dry cloth.

It is recommended to re-oil annually using Osmo Liquid Wax Cleaner.

Protect from liquid, excessive heat and sharp objects. Coasters are recommended.

### REPAIR

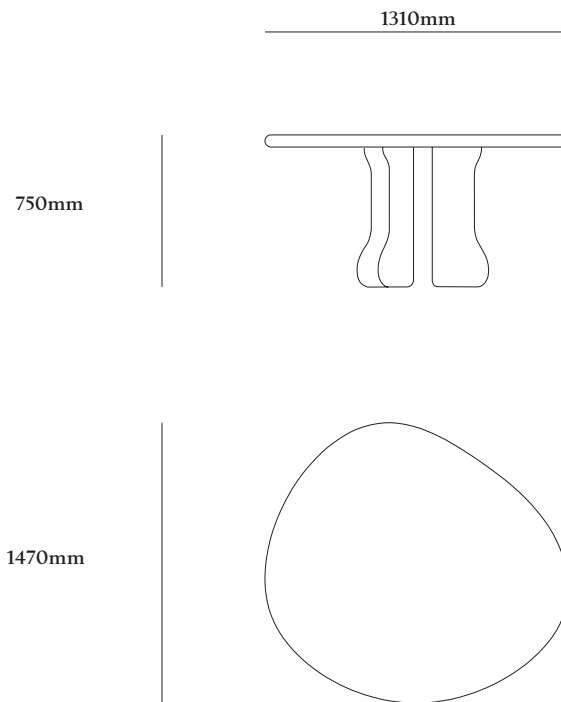
If this product is accidentally damaged, Faye Toogood Studio may be able to offer repairing/refinishing advice or services at a cost agreed upon consultation. Please email [sales@fayetoogood.com](mailto:sales@fayetoogood.com) with imagery, an outline of the issue and the original order number when enquiring about a repair.

Faye Toogood



*Bone* dining table, squircle

## *Bone* dining table, squircle



*Bone* dining table anchors the room as a sculptural centrepiece. An asymmetric, curving squircle carved from solid oak, softened with labour and oil-finished. Four circular piercings reveal the vertical grain of the timber.

*Bone* is available to seat six.

DIMENSIONS 75 (h) × 131 (w) × 147 (d) cm

MATERIALS Oak Walnut Ash Chalk / Malachite / Putty

WEIGHT 95kg 80kg 85kg

FINISH Satin Wood Oil

ORIGIN UK

LEAD TIME Made to order (8 week lead time)

DELIVERY We offer UK and international delivery.

As all items are made to order, shipping costs vary according to the piece, destination and access requirements, and are quoted at the time of enquiry.

International transit typically takes 1-2 weeks by air freight, excluding any time held in customs.



*Bone* dining table, squircle. Oak



*Bone* dining table, squircle. Oak

# *Bone* dining table, squircle

## MATERIALS & FINISHES



Oak



Walnut



Ash Chalk



Ash Putty



Ash Malachite

\*Colour variations between batches may occur. Material will patina with use.

---

### CARE GUIDANCE

Lightly dust with a lint free cloth.

Avoid abrasive cloths and commercial domestic cleaners.

In case of spillages, absorb excess liquid with a clean cloth and dry with dry cloth.

It is recommended to re-oil annually using Osmo Liquid Wax Cleaner.

Protect from liquid, excessive heat and sharp objects. Coasters are recommended.

### REPAIR

If this product is accidentally damaged, Faye Toogood Studio may be able to offer repairing/refinishing advice or services at a cost agreed upon consultation. Please email [sales@fayetoogood.com](mailto:sales@fayetoogood.com) with imagery, an outline of the issue and the original order number when enquiring about a repair.